

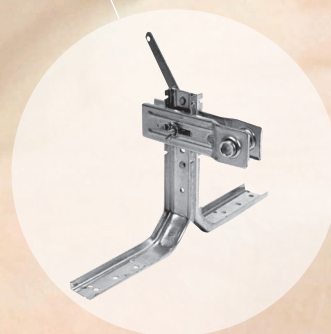






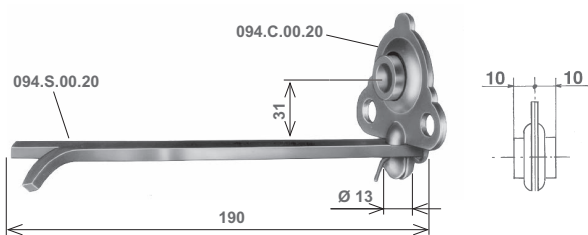


**SUPPORTI  
E CUSCINETTI**  
SUPPORTS,  
BEARINGS  
AND BUSHINGS

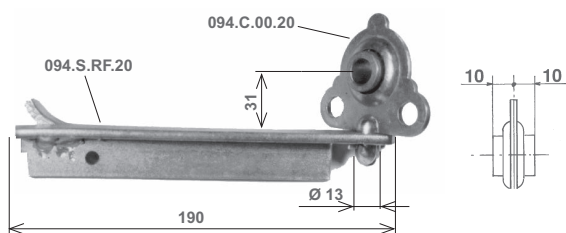




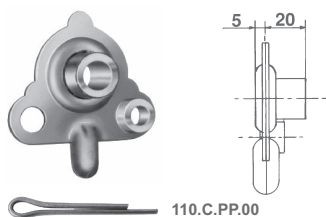
| Supporto per riduttore EXTRA<br>Support for "EXTRA" strap reduction gear |                      |    |
|--------------------------------------------------------------------------|----------------------|----|
| Articolo - Item                                                          | Finiture - Finishes  |    |
| <b>060.S.00.20</b>                                                       | zincato - galvanized | 50 |



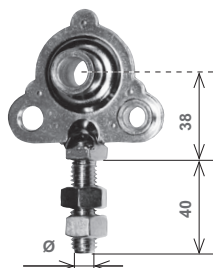
| Supporto a murare per riduttore   Art. 063-065<br>Wall fixing support for reduction gears   part nos. 063-065 |                      |    |
|---------------------------------------------------------------------------------------------------------------|----------------------|----|
| Articolo - Item                                                                                               | Finiture - Finishes  |    |
| <b>094.K.00.20</b>                                                                                            | zincato - galvanized | 50 |



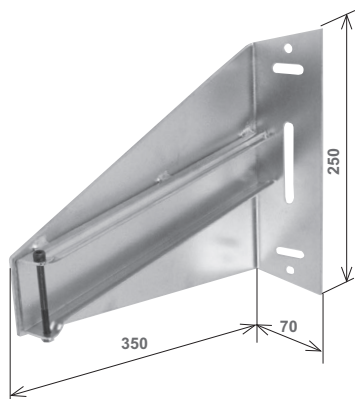
| Supporto a murare rinforzato per riduttori   Art. 063-065<br>Reinforced wall fixing support for reduction gears   part nos. 063-065 |                      |    |
|-------------------------------------------------------------------------------------------------------------------------------------|----------------------|----|
| Articolo - Item                                                                                                                     | Finiture - Finishes  |    |
| <b>094.K.RF.20</b>                                                                                                                  | zincato - galvanized | 50 |



| Cuscinetto per sostituzione per riduttori in ghisa<br>Ball bearing for replacement for cast iron strap red. gears |                      |    |
|-------------------------------------------------------------------------------------------------------------------|----------------------|----|
| Articolo - Item                                                                                                   | Finiture - Finishes  |    |
| <b>094.C.RD.20</b>                                                                                                | zincato - galvanized | 50 |

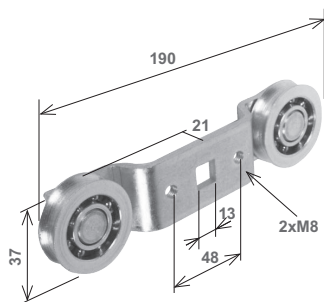


| Cuscinetto registrabile<br>Adjusting ball bearing |                    |                      |        |    |
|---------------------------------------------------|--------------------|----------------------|--------|----|
|                                                   | Articolo - Item    | Finiture - Finishes  | Ø (mm) |    |
|                                                   | <b>094.C.R0.20</b> | zincato - galvanized | 10     | 50 |
|                                                   | <b>094.C.R2.20</b> | zincato - galvanized | 12     | 50 |
|                                                   | <b>094.C.D0.20</b> | zincato - galvanized | 10     | 50 |
|                                                   | <b>094.C.D2.20</b> | zincato - galvanized | 12     | 50 |



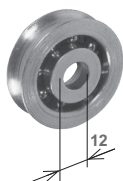
**Peso max telo = 180 kg**  
**Max. weight of the shutter = 180 Kg**

| Supporto per carrello<br>Support for roller bracket |                      |   |
|-----------------------------------------------------|----------------------|---|
| Articolo - Item                                     | Finiture - Finishes  |   |
| <b>100.S.CA.20</b>                                  | zincato - galvanized | ■ |

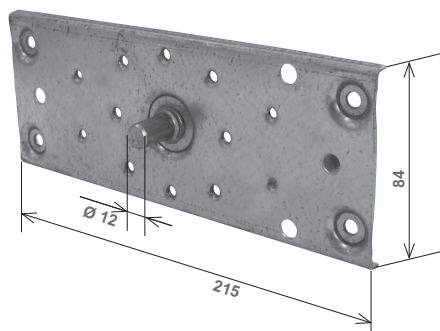


| Carrello con cuscinetti<br>Roller bracket with ball bearings |                      |   |
|--------------------------------------------------------------|----------------------|---|
| Articolo - Item                                              | Finiture - Finishes  |   |
| <b>100.C.CC.20</b>                                           | zincato - galvanized | ■ |

Per foro quadro 14 mm aggiungere staffa 581ST420  
For square 14 mm hole add bracket 581ST420

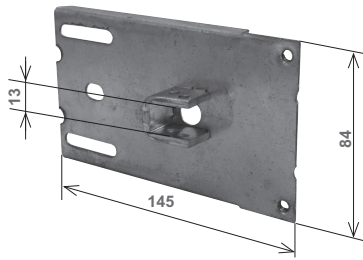


| Cuscinetto per supporto   Art. 100.S.CA.20<br>Ball bearing for roller bracket   part no. 100.S.CA.20 |                      |   |
|------------------------------------------------------------------------------------------------------|----------------------|---|
| Articolo - Item                                                                                      | Finiture - Finishes  |   |
| <b>100.C.00.20</b>                                                                                   | zincato - galvanized | ■ |

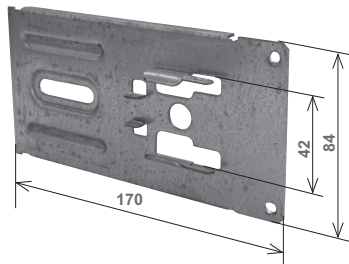


| Supporto da avvitare<br>Wall bracket |                      |    |
|--------------------------------------|----------------------|----|
| Articolo - Item                      | Finiture - Finishes  |    |
| • <b>101.S.PP.20</b>                 | zincato - galvanized | 50 |

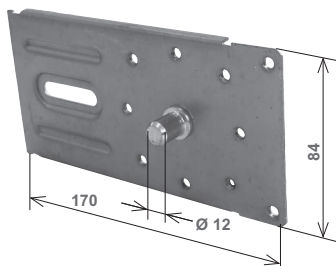
- Vendibile singolarmente - Non-Standard packaging
- Disponibile fino ad esaurimento scorte - Available while stocks last



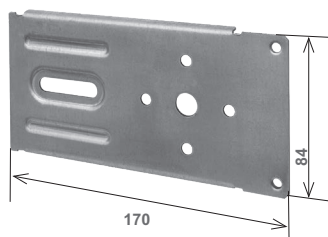
| Mensola per supporto «Milano»<br>Plate for «Milano» angle bracket |                      |     |
|-------------------------------------------------------------------|----------------------|-----|
| Articolo - Item                                                   | Finiture - Finishes  |     |
| • <b>102.M.4Q.20</b>                                              | zincata - galvanized | 100 |



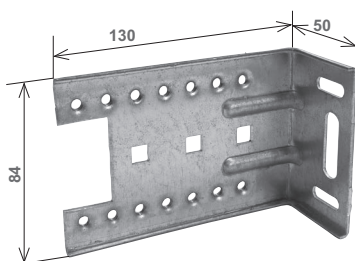
| Mensola per supporto «Milano»<br>Plate for «Milano» angle bracket |                      |     |
|-------------------------------------------------------------------|----------------------|-----|
| Articolo - Item                                                   | Finiture - Finishes  |     |
| • <b>102.M.7C.20</b>                                              | zincata - galvanized | 100 |



| Mensola per supporto «Milano»<br>Plate for «Milano» angle bracket |                      |     |
|-------------------------------------------------------------------|----------------------|-----|
| Articolo - Item                                                   | Finiture - Finishes  |     |
| • <b>102.M.7P.20</b>                                              | zincata - galvanized | 100 |



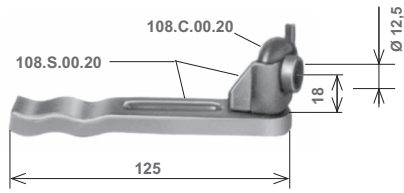
| Mensola per supporto «Milano»<br>Plate for «Milano» angle bracket |                      |     |
|-------------------------------------------------------------------|----------------------|-----|
| Articolo - Item                                                   | Finiture - Finishes  |     |
| • <b>102.M.7N.20</b>                                              | zincata - galvanized | 100 |



| Supporto a squadra «Milano»<br>«Milano» universal angle bracket |                      |    |
|-----------------------------------------------------------------|----------------------|----|
| Articolo - Item                                                 | Finiture - Finishes  |    |
| • <b>102.S.SQ.20</b>                                            | zincato - galvanized | 50 |

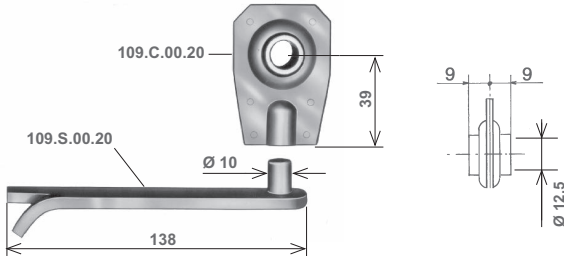
• Disponibile fino ad esaurimento scorte - Available while stocks last





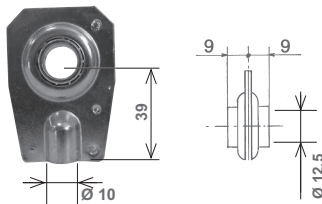
**Supporto «Puglia» con cuscinetto | Ø 30 mm (boccola ferro)**  
**«Puglia» wall fixing support with bearing | Ø 30 mm (iron bush)**

| Articolo - Item    | Finiture - Finishes  |     |
|--------------------|----------------------|-----|
| <b>108.K.00.20</b> | zincato - galvanized | 100 |



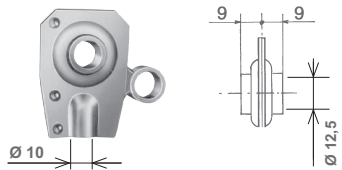
**Supporto a murare + cuscinetto estraibile**  
**Wall fixing support + removable ball bearing**

| Articolo - Item    | Finiture - Finishes  |     |
|--------------------|----------------------|-----|
| <b>109.K.00.20</b> | zincato - galvanized | 100 |



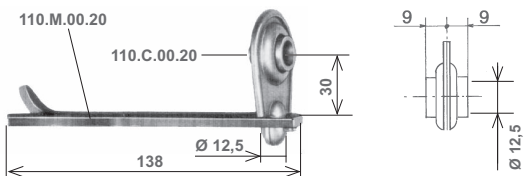
**Cuscinetto estraibile**  
**Removable ball bearing**

| Articolo - Item    | Finiture - Finishes  |     |
|--------------------|----------------------|-----|
| <b>109.C.00.20</b> | zincato - galvanized | 100 |



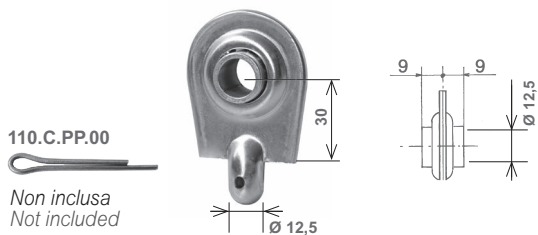
**Cuscinetto estraibile per riduttori**  
**Removable ball bearing for strap reduction gears**

| Articolo - Item    | Finiture - Finishes  |     |
|--------------------|----------------------|-----|
| <b>109.C.RD.20</b> | zincato - galvanized | 100 |



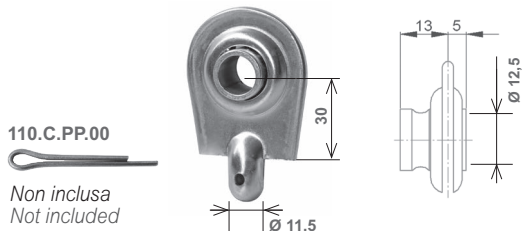
**Supporto a murare con cuscinetto**  
**Wall fixing support with ball bearing**

| Articolo - Item    | Finiture - Finishes  |     |
|--------------------|----------------------|-----|
| <b>110.K.00.20</b> | zincato - galvanized | 100 |



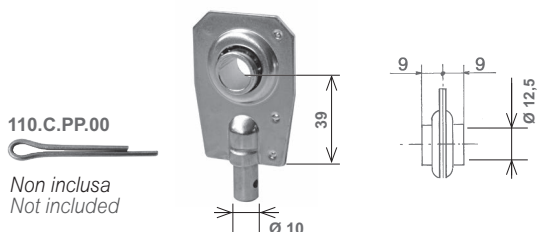
**Cuscinetto estraibile**  
**Removable ball bearing**

| Articolo - Item    | Finiture - Finishes  |     |
|--------------------|----------------------|-----|
| <b>110.C.00.20</b> | zincato - galvanized | 100 |



**Cuscinetto estraibile**  
**Removable ball bearing**

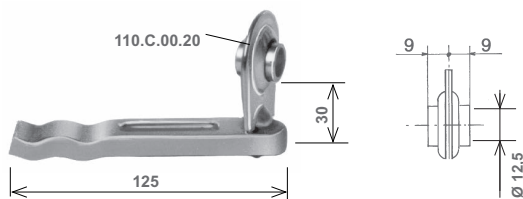
| Articolo - Item    | Finiture - Finishes  |     |
|--------------------|----------------------|-----|
| <b>110.C.1D.20</b> | zincato - galvanized | 100 |



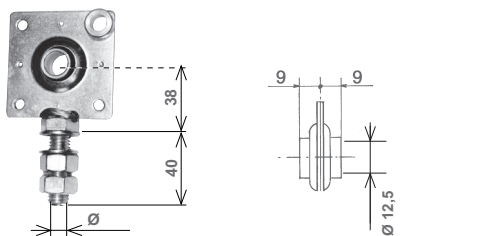
**Cuscinetto estraibile**  
**Removable ball bearing**

| Articolo - Item      | Finiture - Finishes  |     |
|----------------------|----------------------|-----|
| <b>* 110.C.10.20</b> | zincato - galvanized | 100 |

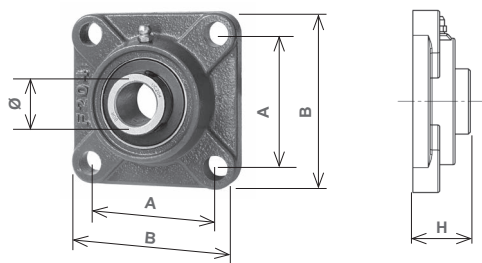
\* Fornito con perno tornito - Supplied with machined pin



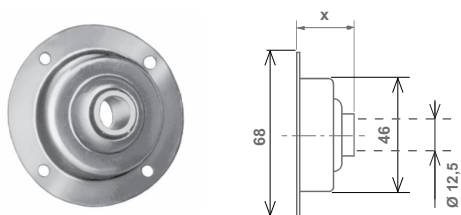
| Supporto tipo «E» + cuscinetto<br>«E» type support + ball bearing |                     |     |
|-------------------------------------------------------------------|---------------------|-----|
| Articolo - Item                                                   | Finiture - Finishes |     |
| <b>111.K.00.20</b>                                                | zincato-galvanized  | 100 |



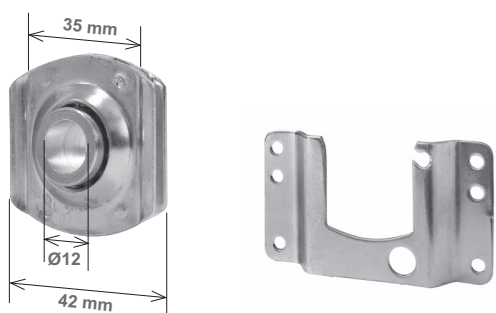
| Cuscinetto registrabile<br>Adjustable ball bearing |                     |        |    |
|----------------------------------------------------|---------------------|--------|----|
| Articolo - Item                                    | Finiture - Finishes | Ø (mm) |    |
| <b>114.C.R0.20</b>                                 | zincato-galvanized  | 10     | 50 |
| <b>114.C.R2.20</b>                                 | zincato-galvanized  | 12     | 50 |



| Cuscinetto serie pesante<br>Ball bearing heavy series |                     |    |    |    |        |    |
|-------------------------------------------------------|---------------------|----|----|----|--------|----|
| Articolo - Item                                       | Finiture - Finishes | A  | B  | H  | Ø (mm) |    |
| <b>114.C.12.20</b>                                    | verniciato-coated   | 64 | 86 | 33 | 12     | 10 |
| <b>114.C.20.20</b>                                    | verniciato-coated   | 65 | 85 | 33 | 20     | 10 |
| <b>114.C.25.20</b>                                    | verniciato-coated   | 70 | 95 | 36 | 25     | 10 |



| Cuscinetto a sfere, a conchiglia, a legno<br>Screw type ball bearing |                                                |        |     |
|----------------------------------------------------------------------|------------------------------------------------|--------|-----|
| Articolo - Item                                                      | Finiture - Finishes                            | x (mm) |     |
| <b>115.C.BF.20</b>                                                   | con boccia a filo zinc.<br>flush bushing-galv. | 19     | 100 |

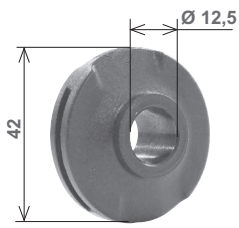


| Cuscinetto a sfere innesto 35 mm<br>Ball bearing 35 mm gain |                     |     |
|-------------------------------------------------------------|---------------------|-----|
| Articolo - Item                                             | Finiture - Finishes |     |
| <b>116.C.F0.20</b>                                          | zincato-galvanized  | 500 |

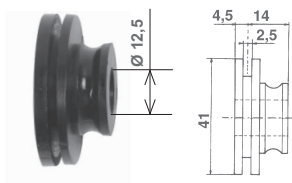
| Supporto a legno (piega 11 mm)<br>Screw type support (overhang 11 mm) |                     |     |
|-----------------------------------------------------------------------|---------------------|-----|
| Articolo - Item                                                       | Finiture - Finishes |     |
| <b>116.S.F0.20</b>                                                    | zincato-galvanized  | 200 |

| Cuscinetto a sfere per innesto 30 mm<br>Ball bearing for 30 mm gain |     |                    |     |                    |     |
|---------------------------------------------------------------------|-----|--------------------|-----|--------------------|-----|
| Articolo - Item                                                     |     | Articolo - Item    |     | Articolo - Item    |     |
| <b>116.C.09.20</b>                                                  | 100 | <b>116.C.14.20</b> | 100 | <b>116.C.16.20</b> | 100 |
|                                                                     |     |                    |     |                    |     |



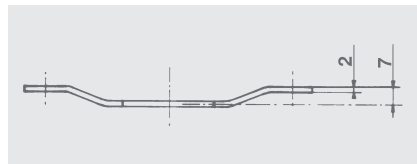
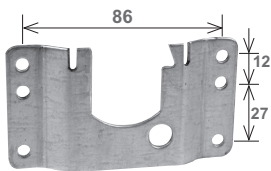


| Boccola in nylon per innesto 30 mm<br>Nylon bush for 30 mm gain |     |                    |     |
|-----------------------------------------------------------------|-----|--------------------|-----|
| Articolo - Item                                                 |     | Articolo - Item    |     |
| <b>116.B.09.90</b>                                              | 200 | <b>116.B.14.90</b> | 200 |
|                                                                 |     |                    |     |



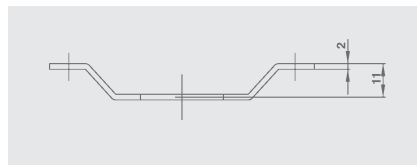
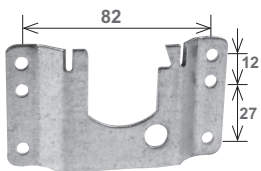
| Boccola in nylon per innesto circolare 30 mm<br>Nylon bush for 30 mm round gain |     |
|---------------------------------------------------------------------------------|-----|
| Articolo - Item                                                                 |     |
| <b>116.B.00.90</b>                                                              | 200 |

\* Solo per 116C1420  
\* Only for 116C1420



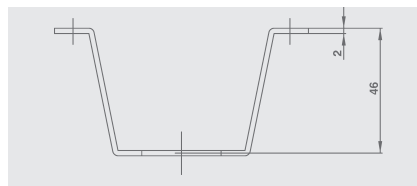
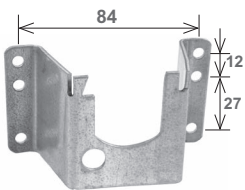
**Supporto a legno (piega 7 mm) per | 058-049.C-116.B0090**  
**Screw type support for part nos. | 058-049.C-116.B0090**

| Articolo - Item    | Finiture - Finishes |     |
|--------------------|---------------------|-----|
| <b>116.S.07.20</b> | zincato-galvanized  | 100 |



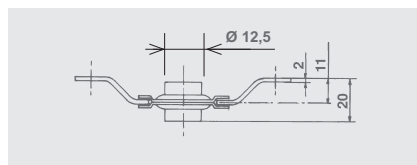
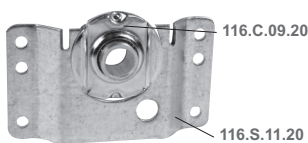
**Supporto a legno (piega 11 mm)**  
**Screw type support (overhang 11 mm)**

| Articolo - Item    | Finiture - Finishes |     |
|--------------------|---------------------|-----|
| <b>116.S.11.20</b> | zincato-galvanized  | 100 |



**Supporto a legno (piega 46 mm)**  
**Screw type support (overhang 46 mm)**

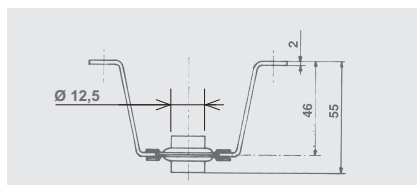
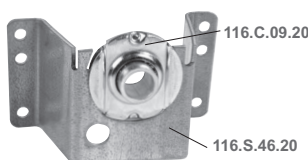
| Articolo - Item    | Finiture - Finishes |     |
|--------------------|---------------------|-----|
| <b>116.S.46.20</b> | zincato-galvanized  | 100 |



**Kit supporto a legno con cusc. sfilabile (piega 11 mm)**  
**Screw type support + removable ball bearing**

| Articolo - Item      | Finiture - Finishes |
|----------------------|---------------------|
| <b>116.K.11.20 *</b> | zincato-galvanized  |

\* Gli articoli sono forniti in confezioni separate  
\* Items are supplied in separate packages



**Kit supporto a legno con cusc. sfilabile (piega 46 mm)**  
**Screw type support + removable ball bearing**

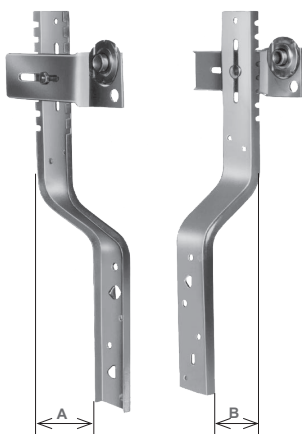
| Articolo - Item      | Finiture - Finishes |
|----------------------|---------------------|
| <b>116.K.46.20 *</b> | zincato-galvanized  |

\* Gli articoli sono forniti in confezioni separate  
\* Items are supplied in separate packages



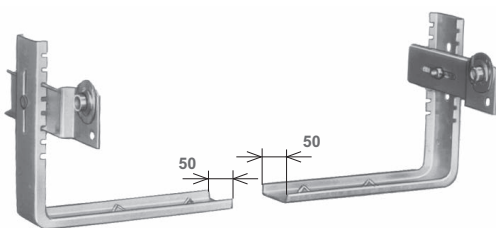
| <b>Codici per supporti «Torino» normali completi</b><br><b>Part Nos. for «Torino» complete supports</b> |                               |                               |                                          |                              |                               |                     |
|---------------------------------------------------------------------------------------------------------|-------------------------------|-------------------------------|------------------------------------------|------------------------------|-------------------------------|---------------------|
| Zincato Galvanized                                                                                      | Parte verticale Vertical part | Parte verticale Vertical part | Vite 6M x 20 e dado di fiss. Screw + nut | Mensola destra Right bracket | Mensola sinistra Left bracket | Cuscinetti Bearings |
|                                                                                                         | A (mm)                        | B (mm)                        | n.                                       | piega (mm) overhang (mm)     | piega (mm) overhang (mm)      | n.                  |
|                                                                                                         | 100                           | 100                           | 2                                        | 11                           | 11                            | 2                   |
| <b>117.K.11.20 *</b>                                                                                    | <b>117.V.10.20</b>            | <b>117.V.10.20</b>            | <b>123.K.20.20</b>                       | <b>117.D.11.20</b>           | <b>117.S.11.20</b>            | <b>116.C.09.20</b>  |
|                                                                                                         | 25                            | 100                           | 2                                        | 11                           | 11                            | 2                   |
| <b>117.K.21.20 *</b>                                                                                    | <b>117.V.02.20</b>            | <b>117.V.10.20</b>            | <b>123.K.20.20</b>                       | <b>117.D.11.20</b>           | <b>117.S.11.20</b>            | <b>116.C.09.20</b>  |
|                                                                                                         | 25                            | 25                            | 2                                        | 11                           | 11                            | 2                   |
| <b>117.K.22.20 *</b>                                                                                    | <b>117.V.02.20</b>            | <b>117.V.02.20</b>            | <b>123.K.20.20</b>                       | <b>117.D.11.20</b>           | <b>117.S.11.20</b>            | <b>116.C.09.20</b>  |
|                                                                                                         | 25                            | 85                            | 2                                        | 11                           | 11                            | 2                   |
| <b>117.K.28.20 *</b>                                                                                    | <b>117.V.02.20</b>            | <b>117.V.08.20</b>            | <b>123.K.20.20</b>                       | <b>117.D.11.20</b>           | <b>117.S.11.20</b>            | <b>116.C.09.20</b>  |
|                                                                                                         | 70                            | 70                            | 2                                        | 7                            | 7                             | 2                   |
| <b>117.K.77.20 *</b>                                                                                    | <b>117.V.07.20</b>            | <b>117.V.07.20</b>            | <b>123.K.20.20</b>                       | <b>117.D.07.20</b>           | <b>117.S.07.20</b>            | <b>116.B.00.90</b>  |
|                                                                                                         | 85                            | 85                            | 2                                        | 11                           | 11                            | 2                   |
| <b>117.K.88.20 *</b>                                                                                    | <b>117.V.08.20</b>            | <b>117.V.08.20</b>            | <b>123.K.20.20</b>                       | <b>117.D.11.20</b>           | <b>117.S.11.20</b>            | <b>116.C.09.20</b>  |

\* Gli articoli sono forniti in confezioni separate - Items are supplied in separate packages



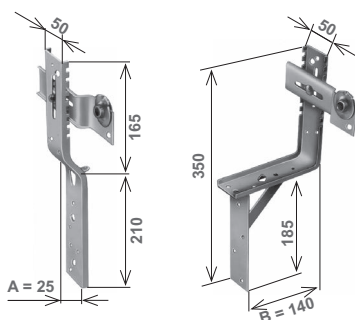
| <b>Codici per supporti «Torino» rovesciati completi</b><br><b>Part Nos. for «Torino» inside-out complete supports</b> |                               |                               |                                          |                              |                               |                     |
|-----------------------------------------------------------------------------------------------------------------------|-------------------------------|-------------------------------|------------------------------------------|------------------------------|-------------------------------|---------------------|
| Zincato Galvanized                                                                                                    | Parte verticale Vertical part | Parte verticale Vertical part | Vite 6M x 20 e dado di fiss. Screw + nut | Mensola destra Right bracket | Mensola sinistra Left bracket | Cuscinetti Bearings |
|                                                                                                                       | A (mm)                        | B (mm)                        | n.                                       | piega (mm) overhang (mm)     | piega (mm) overhang (mm)      | n.                  |
|                                                                                                                       | 65                            | 65                            | 2                                        | 11                           | 11                            | 2                   |
| <b>117.K.R6.20 *</b>                                                                                                  | <b>117.V.R6.20</b>            | <b>117.V.R6.20</b>            | <b>123.K.20.20</b>                       | <b>117.D.RN.20</b>           | <b>117.S.RN.20</b>            | <b>116.C.09.20</b>  |
|                                                                                                                       | 85                            | 85                            | 2                                        | 11                           | 11                            | 2                   |
| <b>117.K.R8.20 *</b>                                                                                                  | <b>117.V.R8.20</b>            | <b>117.V.R8.20</b>            | <b>123.K.20.20</b>                       | <b>117.D.RN.20</b>           | <b>117.S.RN.20</b>            | <b>116.C.09.20</b>  |

\* Gli articoli sono forniti in confezioni separate - Items are supplied in separate packages



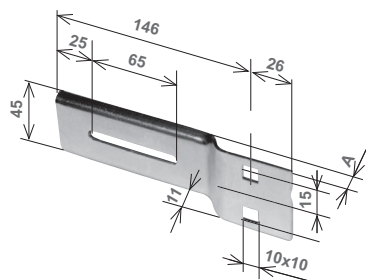
| <b>Codici per supporto «Torino» a squadro completo</b><br><b>Part Nos. for «Torino» angle complete supports</b> |                                               |                                          |                              |                               |                     |  |
|-----------------------------------------------------------------------------------------------------------------|-----------------------------------------------|------------------------------------------|------------------------------|-------------------------------|---------------------|--|
| Zincato Galvanized                                                                                              | Parte verticale a squadra Angle vertical part | Vite 6M x 20 e dado di fiss. Screw + nut | Mensola destra Right bracket | Mensola sinistra Left bracket | Cuscinetti Bearings |  |
|                                                                                                                 | n.                                            | n.                                       | piega (mm) overhang (mm)     | piega (mm) overhang (mm)      | n.                  |  |
|                                                                                                                 | 2                                             | 2                                        | 11                           | 11                            | 2                   |  |
| <b>117.K.SQ.20 *</b>                                                                                            | <b>117.V.SQ.20</b>                            | <b>123.K.20.20</b>                       | <b>117.D.11.20</b>           | <b>117.S.11.20</b>            | <b>116.C.09.20</b>  |  |

\* Gli articoli sono forniti in confezioni separate - Items are supplied in separate packages

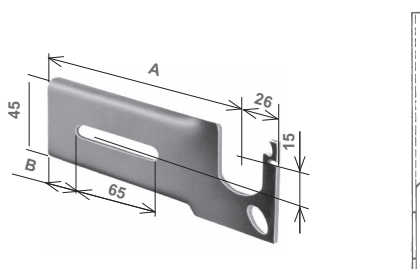


| <b>Codici per supporti «Lazio» completi</b><br><b>Part Nos. for «Lazio» complete supports</b> |                               |                               |                                          |                              |                               |                     |
|-----------------------------------------------------------------------------------------------|-------------------------------|-------------------------------|------------------------------------------|------------------------------|-------------------------------|---------------------|
| Zincato Galvanized                                                                            | Parte verticale Vertical part | Parte verticale Vertical part | Vite 6M x 20 e dado di fiss. Screw + nut | Mensola destra Right bracket | Mensola sinistra Left bracket | Cuscinetti Bearings |
|                                                                                               | A (mm)                        | B (mm)                        | n.                                       | piega (mm) overhang (mm)     | piega (mm) overhang (mm)      | n.                  |
|                                                                                               | 25                            | 135                           | 2                                        | 11                           | 11                            | 2                   |
| <b>118.K.00.20 *</b>                                                                          | <b>118.V.02.20</b>            | <b>118.V.14.20</b>            | <b>123.K.20.20</b>                       | <b>117.D.11.20</b>           | <b>117.S.11.20</b>            | <b>116.C.09.20</b>  |

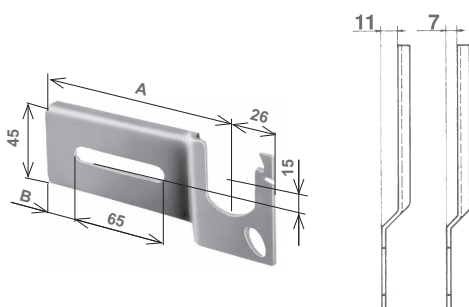
\* Gli articoli sono forniti in confezioni separate - Items are supplied in separate packages



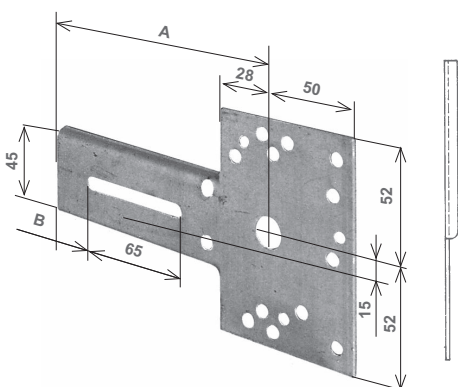
| <b>Mensola per supporti Torino con fori   <math>\varnothing</math> 10 mm</b><br><b>Bracket for Torino support with holes   <math>\varnothing</math> 10 mm</b> |        |                                     |                     |     |
|---------------------------------------------------------------------------------------------------------------------------------------------------------------|--------|-------------------------------------|---------------------|-----|
| Articolo - Item                                                                                                                                               | A (mm) | Nota - Remark                       | Finiture - Finishes |     |
| <b>117.A.SA.20</b>                                                                                                                                            | 11     | destra e sinistra<br>right and left | zincato-galvanized  | 100 |
| <b>117.A.SD.20</b>                                                                                                                                            | 0      | destra e sinistra<br>right and left | zincato-galvanized. | 100 |



| <b>Mensole per supporti Torino DESTRA</b><br><b>Bracket for Torino support - right side</b> |        |                      |                               |     |
|---------------------------------------------------------------------------------------------|--------|----------------------|-------------------------------|-----|
| A (mm)                                                                                      | B (mm) | Zincata - Galvanized | Destra - Right                |     |
| 148                                                                                         | 25     | <b>117.D.00.20</b>   | dritta - straight             | 100 |
| 127                                                                                         | 4      | <b>117.D.A0.20</b>   | dritta CORTA - straight short | 100 |

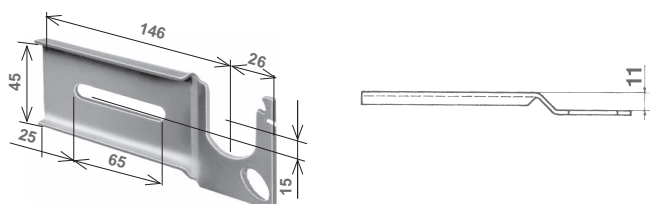


| <b>Mensole per supporti Torino DESTRA</b><br><b>Bracket for Torino support - right side</b> |        |                      |                              |     |
|---------------------------------------------------------------------------------------------|--------|----------------------|------------------------------|-----|
| A (mm)                                                                                      | B (mm) | Zincata - Galvanized | Piega destra - Right bending |     |
| 146                                                                                         | 25     | <b>117.D.07.20</b>   | 7 mm                         | 100 |
| 146                                                                                         | 25     | <b>117.D.11.20</b>   | 11 mm                        | 100 |
| 125                                                                                         | 4      | <b>117.D.A1.20</b>   | 11 mm CORTA - SHORT          | 100 |



| <b>Mensole per supporti Torino DESTRA</b><br><b>Bracket for Torino support - right side</b> |        |                                                                                                                   |                                                                |    |
|---------------------------------------------------------------------------------------------|--------|-------------------------------------------------------------------------------------------------------------------|----------------------------------------------------------------|----|
| A (mm)                                                                                      | B (mm) | Zincata - Galvanized                                                                                              | Destra - Right                                                 |    |
| 146                                                                                         | 25     | • <b>117.D.AM.20</b>                                                                                              | Argani - Gears MONACO<br>SYDNEY / ERGON<br>Avv. - Coiler OMEGA | 50 |
| 125                                                                                         | 4      | • <b>117.D.M1.20</b>                                                                                              | come sopra CORTA - SHORT                                       | 50 |
| • <b>117.D.AF.20</b>                                                                        |        | per argani MONACO SYDNEY / ERGON<br>for gears MONACO / SYDNEY / ERGON<br>con fori filettati - with threaded holes |                                                                | 50 |

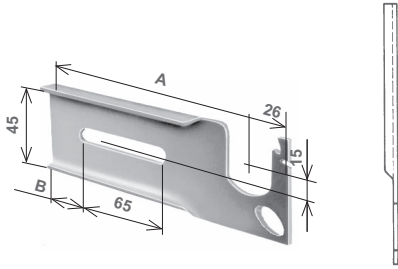
Con MONACO abbinare sempre piastra 438F0020  
With MONACO always match the plate 438F0020



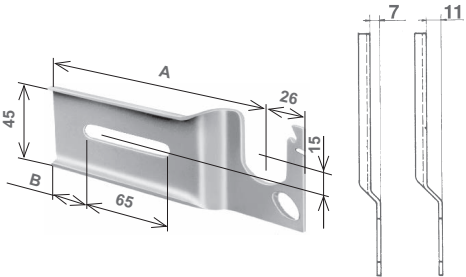
| <b>Mensole per supporti Torino DESTRA</b><br><b>Bracket for Torino support - right side</b> |                         |     |
|---------------------------------------------------------------------------------------------|-------------------------|-----|
| Zincata - Galvanized                                                                        | Destra - Right          |     |
| <b>117.D.RN.20</b>                                                                          | rovesciata - inside out | 100 |

• Disponibile fino ad esaurimento scorte - Available while stocks last

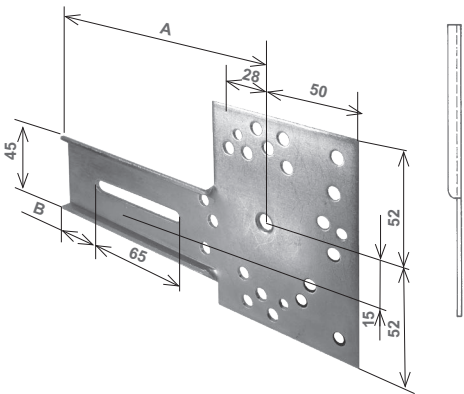




| Mensole per supporti Torino SINISTRE<br>Bracket for Torino supports - Left side |        |                      |                                |     |
|---------------------------------------------------------------------------------|--------|----------------------|--------------------------------|-----|
| A (mm)                                                                          | B (mm) | Zincato - Galvanized | Sinistra - Left                |     |
| 148                                                                             | 25     | <b>117.S.00.20</b>   | dritta - straight              | 100 |
| 127                                                                             | 4      | <b>117.S.A0.20</b>   | diritta CORTA - straight SHORT | 100 |

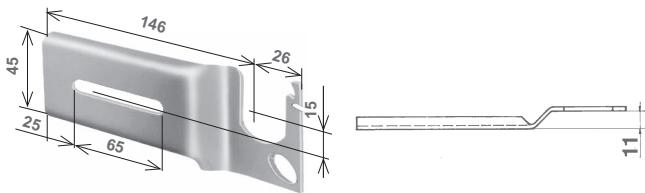


| Mensole per supporti Torino SINISTRE<br>Bracket for Torino supports - Left side |        |                      |                                |     |
|---------------------------------------------------------------------------------|--------|----------------------|--------------------------------|-----|
| A (mm)                                                                          | B (mm) | Zincato - Galvanized | Piegia sinistra - Left bending |     |
| 146                                                                             | 25     | <b>117.S.07.20</b>   | 7 mm                           | 100 |
| 146                                                                             | 25     | <b>117.S.11.20</b>   | 11 mm                          | 100 |
| 125                                                                             | 4      | <b>117.S.A1.20</b>   | 11 mm CORTA - SHORT            | 100 |

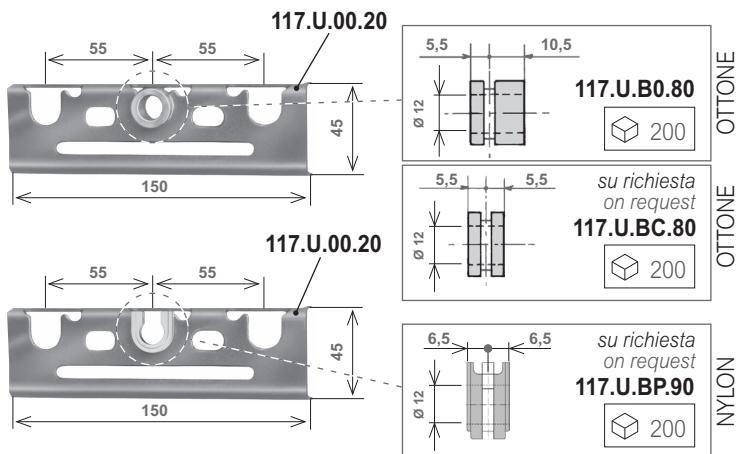


| Mensole per supporti Torino SINISTRE<br>Bracket for Torino supports - Left side |        |                                                                                                              |                                                                     |    |
|---------------------------------------------------------------------------------|--------|--------------------------------------------------------------------------------------------------------------|---------------------------------------------------------------------|----|
| A (mm)                                                                          | B (mm) | Zincato - Galvanized                                                                                         | Sinistra - Left                                                     |    |
| 146                                                                             | 25     | • <b>117.S.AM.20</b>                                                                                         | Argani - Gears MONACO SYDNEY / ERGON<br>Avv. - Coiler OMEGA - ..... | 50 |
| 125                                                                             | 4      | • <b>117.S.M1.20</b>                                                                                         | come sopra CORTA - SHORT                                            | 50 |
| • <b>117.S.AF.20</b>                                                            |        | per argani MONACO SYDNEY / ERGON con fori filettati<br>for gears MONACO / SYDNEY / ERGON with threaded holes |                                                                     | 50 |

Con MONACO abbinare sempre piastra 438F0020  
With MONACO always match the plate 438F0020

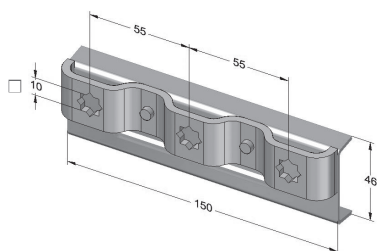


| Mensole per supporti Torino SINISTRE<br>Bracket for Torino supports - Left side |                         |     |
|---------------------------------------------------------------------------------|-------------------------|-----|
| Zincato - Galvanized                                                            | Sinistra - Left         |     |
| <b>117.S.RN.20</b>                                                              | rovesciata - inside out | 100 |



| Mensola UNI per supporti Torino<br>UNI Bracket for Torino supports |                                           |     |
|--------------------------------------------------------------------|-------------------------------------------|-----|
| Zincato - Galvanized                                               | Boccola - Bush                            |     |
| <b>117.U.K0.20</b>                                                 | Ottone, NON bloccata<br>Brass, NOT locked | 100 |
| <b>117.U.KP.20</b>                                                 | Nylon, bloccata<br>Nylon, locked          | 100 |

• Disponibile fino ad esaurimento scorte  
Available while stocks last



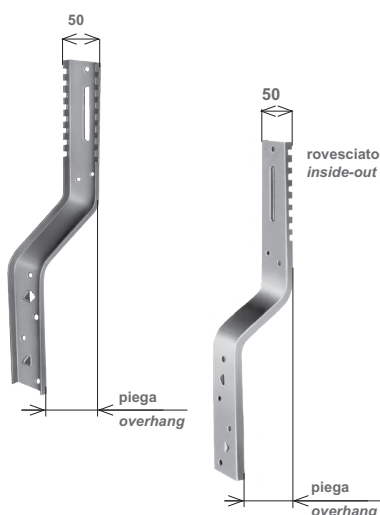
**Mensola UNI quadro 10 per supporti Torino**  
**UNI Bracket square 10 for Torino supports**

| Articolo - Item    | Finiture - Finishes  |    |
|--------------------|----------------------|----|
| <b>117.U.M1.20</b> | Zincata - galvanized | 50 |



**Parte verticale per supporti Torino**  
**Vertical part for Torino supports**

| Zincato - Galvanized | Nota - Remark     |    |
|----------------------|-------------------|----|
| <b>117.V.00.20</b>   | dritta - straight | 20 |

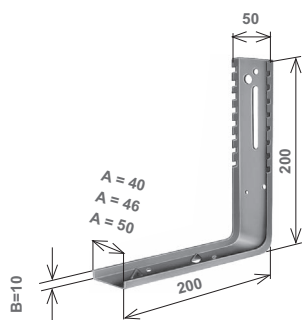


**Parte verticale per supporti Torino**  
**Vertical part for Torino supports**

| Zincato - Galvanized | Piega - Overhang |    |
|----------------------|------------------|----|
| • <b>117.V.02.20</b> | 25 mm            | 20 |
| <b>117.V.07.20</b>   | 70 mm (ALL.CO)   | 20 |
| <b>117.V.08.20</b>   | 85 mm            | 20 |
| <b>117.V.10.20</b>   | 100 mm           | 20 |
| <b>117.V.12.20</b>   | 120 mm           | 20 |

**Parte verticale per supporti Torino**  
**Vertical part for Torino supports**

| Zincato - Galvanized | Piega - Overhang                     |    |
|----------------------|--------------------------------------|----|
| <b>117.V.R6.20</b>   | 65 mm <b>rovesciato</b> - inside-out | 20 |
| <b>117.V.R8.20</b>   | 85 mm <b>rovesciato</b> - inside-out | 20 |



**Parte verticale per supporti Torino**  
**Vertical part for Torino supports**

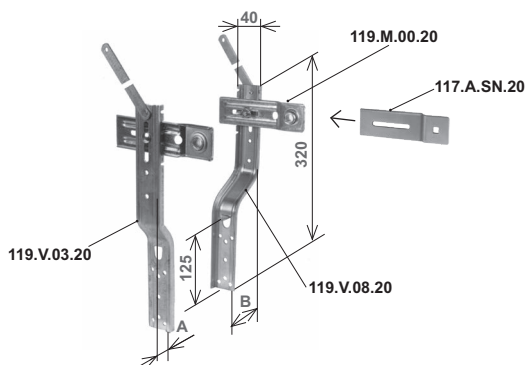
| Zincato - Galvanized | Piega - Overhang                                          | A (mm) | B (mm) |    |
|----------------------|-----------------------------------------------------------|--------|--------|----|
| <b>117.V.S1.20</b>   | a squadra - angle                                         | 46     | 10     | 20 |
| <b>117.V.S2.20</b>   | a squadra con fori filettati<br>angle with threaded holes | 46     | 10     | 20 |
| <b>117.V.S4.20</b>   | a squadra - angle                                         | 40     | 10     | 20 |
| <b>117.V.SQ.20</b>   | a squadra - angle                                         | 50     | 10     | 20 |



**Staffa a murare per parte verticale Torino**  
**Wall fixing strut for Torino vertical part**

| Zincato - Galvanized | Nota - Remark        |   |
|----------------------|----------------------|---|
| <b>118.M.UL.20</b>   | libera - loose       | ■ |
| * <b>118.M.UR.20</b> | ribattuta - clinched |   |

■ Vendibile singolarmente - Non-Standard packaging \* Disponibile solo su richiesta - Available on request, only  
• Disponibile fino ad esaurimento scorte - Available while stocks last

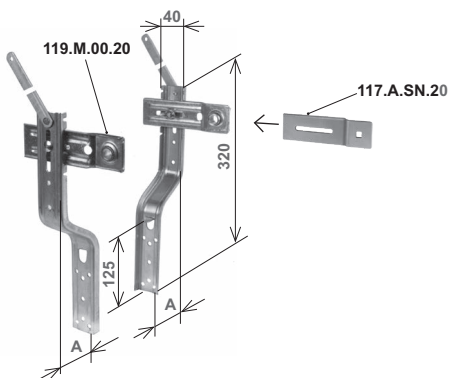


**Kit: Supporti "NAPOLI" piega A - piega B con mensole per puleggia**  
Kit: "NAPOLI" supports with brackets for pulley

| Articolo - Item    | Finitura - Finish    | A (mm) | B (mm) | 📦  |
|--------------------|----------------------|--------|--------|----|
| <b>119.K.38.20</b> | zincato - galvanized | 30     | 80     | 25 |

**Kit: Supporti "NAPOLI" piega A - piega B per motore**  
Kit: "NAPOLI" supports for motor

| Articolo - Item    | Finitura - Finish    | A (mm) | B (mm) | 📦  |
|--------------------|----------------------|--------|--------|----|
| <b>119.K.1M.20</b> | zincato - galvanized | 30     | 80     | 25 |

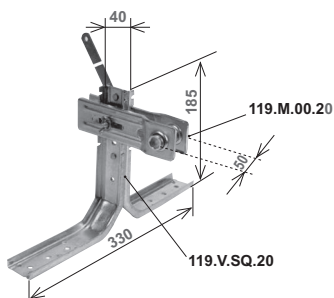


**Kit: Supporti "NAPOLI" piega A - piega A con mensole**  
Kit: "NAPOLI" support with brackets

| Articolo - Item    | Finitura - Finish    | A (mm) | 📦  |
|--------------------|----------------------|--------|----|
| <b>119.K.88.20</b> | zincato - galvanized | 80     | 25 |
| <b>119.K.33.20</b> | zincato - galvanized | 30     | 25 |

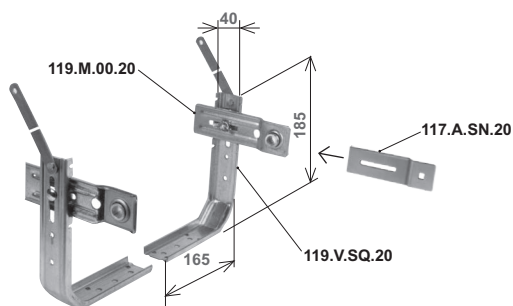
**Kit: Supporti "NAPOLI" piega A - piega B per motore**  
Kit: "NAPOLI" supports for motor

| Articolo - Item    | Finitura - Finish    | A (mm) | 📦  |
|--------------------|----------------------|--------|----|
| <b>119.K.8M.20</b> | zincato - galvanized | 80     | 25 |
| <b>119.K.3M.20</b> | zincato - galvanized | 30     | 25 |



**Kit: Supporti "NAPOLI" per bifora con mensole**  
Kit: "NAPOLI" support with brackets

| Articolo - Item    | Finitura - Finish    | 📦  |
|--------------------|----------------------|----|
| <b>119.K.SB.20</b> | zincato - galvanized | 25 |

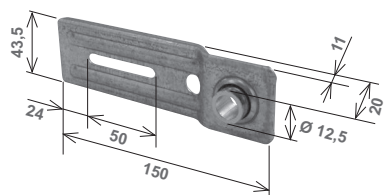


**Kit: Supporti "NAPOLI" a squadra con mensole**  
Kit: "NAPOLI" supports with brackets

| Articolo - Item    | Finitura - Finish    | 📦  |
|--------------------|----------------------|----|
| <b>119.K.SQ.20</b> | zincato - galvanized | 25 |

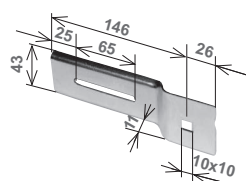
**Kit: Supporti "NAPOLI" piega A - piega B per motore**  
Kit: "NAPOLI" supports for motor

| Articolo - Item    | Finitura - Finish    | 📦  |
|--------------------|----------------------|----|
| <b>119.K.SM.20</b> | zincato - galvanized | 25 |



**Mensola per supp. "NAPOLI" con cuscinetto in ferro**  
Bracket for "NAPOLI" support with steel ball bearing

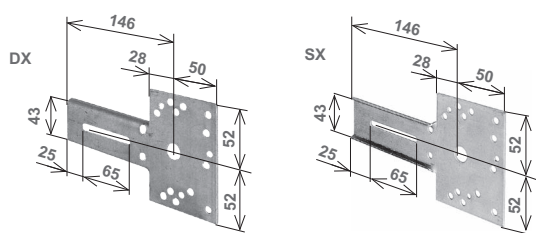
| Articolo - Item    | Finitura - Finish    | 📦  |
|--------------------|----------------------|----|
| <b>119.M.00.20</b> | zincata - galvanized | 50 |



**Mensola per supporti Napoli con foro | ∅ 10 mm**  
Bracket for Napoli support with hole | ∅ 10 mm

| Articolo - Item    | Nota - Remark | Finitura - Finish    | 📦   |
|--------------------|---------------|----------------------|-----|
| <b>117.A.SN.20</b> | DX e SIN      | zincata - galvanized | 100 |



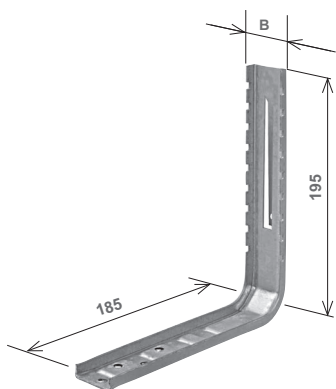


| Mensola per supporti Napoli<br>Brachet for Napoli support |             |    |                                                                                                              |
|-----------------------------------------------------------|-------------|----|--------------------------------------------------------------------------------------------------------------|
| Articolo - Item                                           | Lato - Side |    | per argani MONACO<br>SYDNEY<br>ERGON - avv. OMEGA<br>for gears MONACO /<br>SYDNEY / ERGON - coilers<br>OMEGA |
| <b>117.D.NM.20</b>                                        | DX          | 50 |                                                                                                              |
| <b>117.S.NM.20</b>                                        | SIN         | 50 |                                                                                                              |

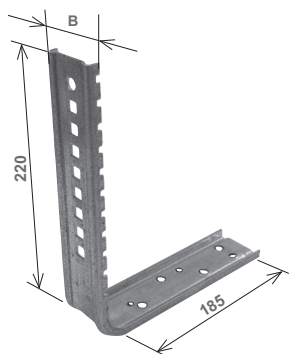
Con MONACO abbinare sempre piastra 438F0020  
With MONACO always match the plate 438F0020



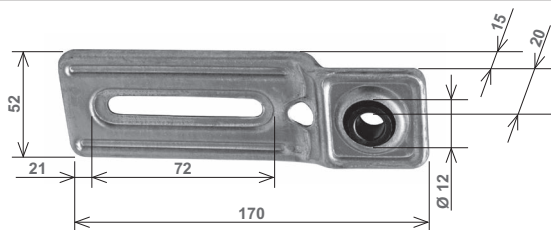
| Parte verticale per supporti "PALERMO"<br>Vertical part for "PALERMO" supports |        |        |    |
|--------------------------------------------------------------------------------|--------|--------|----|
| Zincata - Galvanized                                                           | A (mm) | B (mm) |    |
| <b>119.V.P3.20</b>                                                             | 30     | 35     | 50 |
| <b>119.V.P8.20</b>                                                             | 80     | 35     | 50 |
| <b>119.V.G3.20</b>                                                             | 30     | 46     | 50 |
| • <b>119.V.G8.20</b>                                                           | 80     | 46     | 50 |



| Parte verticale "PALERMO" piegata a squadra<br>Vertical part "PALERMO" at right angles |        |                         |    |
|----------------------------------------------------------------------------------------|--------|-------------------------|----|
| Articolo - Item                                                                        | B (mm) | Finiture<br>Finishes    |    |
| <b>119.V.PQ.20</b>                                                                     | 35     | zincata -<br>galvanized | 50 |

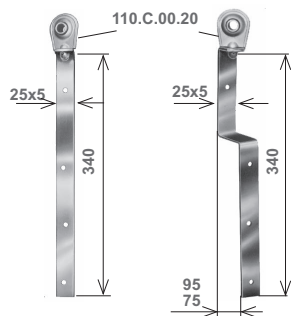


| Parte verticale "PALERMO" piegata a squadra<br>Vertical part "PALERMO" at right angles |        |                         |    |
|----------------------------------------------------------------------------------------|--------|-------------------------|----|
| Articolo - Item                                                                        | B (mm) | Finiture<br>Finishes    |    |
| <b>119.V.GQ.20</b>                                                                     | 46     | zincata -<br>galvanized | 50 |

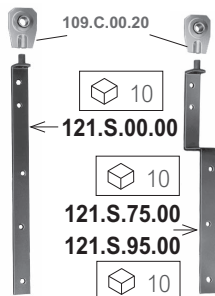


| Mensola per supporto "PALERMO" con cuscinetto in plastica<br>Bracket for "PALERMO" support with plastic ball bearing |                      |     |
|----------------------------------------------------------------------------------------------------------------------|----------------------|-----|
| Articolo - Item                                                                                                      | Finiture - Finishes  |     |
| <b>119.P.00.20</b>                                                                                                   | zincata - galvanized | 100 |

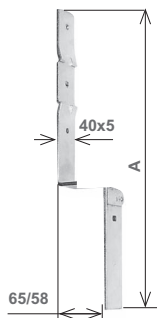
• Disponibile fino ad esaurimento scorte - Available while stocks last



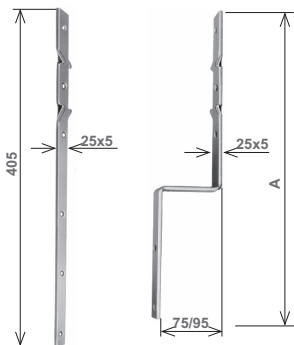
| Supporto Modena lucido<br>Modena support |                                            |    |
|------------------------------------------|--------------------------------------------|----|
| Articolo - Item                          | Nota - Remark                              |    |
| <b>120.K.00.10</b>                       | diritto (cuscinetto zinc.) - straight      | 10 |
| <b>120.K.75.10</b>                       | sagomato 75 mm (cuscinetto zinc.) - shaped | 10 |
| <b>120.K.95.10</b>                       | sagomato 95 mm (cuscinetto zinc.) - shaped | 10 |



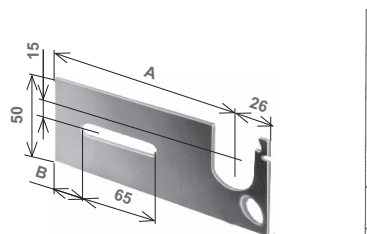
| Supporto Modena lucido con perno<br>Modena support with stud |                                            |    |
|--------------------------------------------------------------|--------------------------------------------|----|
| Articolo - Item                                              | Nota - Remark                              |    |
| <b>121.K.00.10</b>                                           | diritto (cuscinetto zinc.) - straight      | 10 |
| <b>121.K.75.10</b>                                           | sagomato 75 mm (cuscinetto zinc.) - shaped | 10 |
| • <b>121.K.95.10</b>                                         | sagomato 95 mm (cuscinetto zinc.) - shaped | 10 |



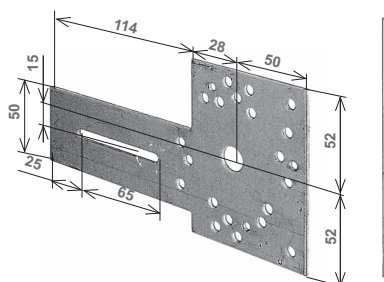
| Parte verticale ferro piatto   40x5 mm<br>Vertical part   40x5 mm |                             |        |             |    |
|-------------------------------------------------------------------|-----------------------------|--------|-------------|----|
| Zincato - Galvanized                                              | piega (mm)<br>Overhang (mm) | A (mm) | Rif. - Ref. |    |
| <b>122.V.A1.20</b>                                                | 65                          | 360    | All. Co 1   | 10 |
| <b>122.V.A5.20</b>                                                | 58                          | 365    | All. Co 5   | 10 |



| Parte verticale per supporto Mantova<br>Vertical part to Mantova supports |                         |        |    |
|---------------------------------------------------------------------------|-------------------------|--------|----|
| Zincato - Galvanized                                                      | Nota - Remark           | A (mm) |    |
| <b>122.V.00.20</b>                                                        | diritta - straight      | 405    | 10 |
| <b>122.V.75.20</b>                                                        | sagomata 75 mm - bended | 400    | 10 |
| <b>122.V.95.20</b>                                                        | sagomata 95 mm - bended | 380    | 10 |



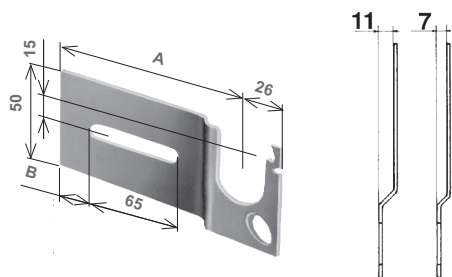
| Mensole per supporti Mantova DX e SIN<br>Bracket for Mantova supports R + L |        |                      |                                |     |
|-----------------------------------------------------------------------------|--------|----------------------|--------------------------------|-----|
| A (mm)                                                                      | B (mm) | Zincato - Galvanized | Nota - Remark                  |     |
| 148                                                                         | 25     | <b>122.D.00.20</b>   | diritta - straight             | 100 |
| 127                                                                         | 4      | <b>122.D.A1.20</b>   | diritta CORTA - straight SHORT | 100 |



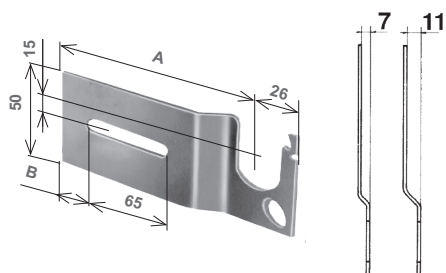
| Mensole per supporti Mantova DX e SIN<br>Bracket for Mantova supports R + L |                                                                                |    |
|-----------------------------------------------------------------------------|--------------------------------------------------------------------------------|----|
| Zincato - Galvanized                                                        | per modelli - for types                                                        |    |
| <b>122.D.AM.20</b>                                                          | MONACO / SYDNEY / ERGON<br>OMEGA                                               | 50 |
| <b>122.D.AF.20</b>                                                          | MONACO / SYDNEY / ERGON<br>avv. OMEGA con fori filettati - with threaded holes | 50 |

Con MONACO abbinare sempre piastra 438F0020  
With MONACO always match the plate 438F0020

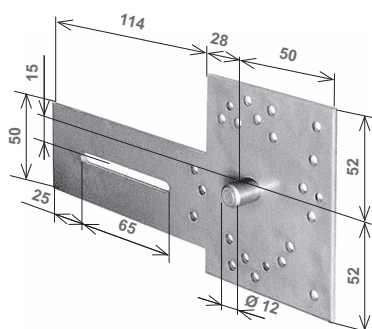
• Disponibile fino ad esaurimento scorte - Available while stocks last



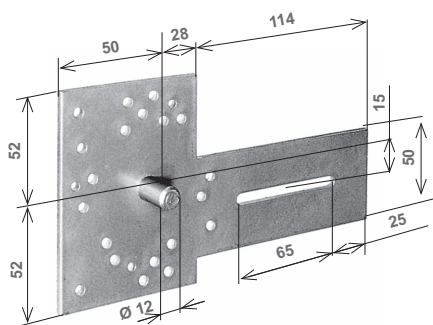
| <b>Mensole per supporti Mantova DX</b><br><b>Bracket for Mantova supports, right</b> |        |                      |                              |     |
|--------------------------------------------------------------------------------------|--------|----------------------|------------------------------|-----|
| A (mm)                                                                               | B (mm) | Zincato - Galvanized | Piega (mm) - Overhang (mm)   |     |
| 146                                                                                  | 25     | <b>122.D.07.20</b>   | 7 mm DX - Right              | 100 |
| 125                                                                                  | 4      | <b>122.D.A7.20</b>   | 7 mm DX CORTA - Right SHORT  | 100 |
| 146                                                                                  | 25     | <b>122.D.11.20</b>   | 11 mm DX - Right             | 100 |
| 125                                                                                  | 4      | <b>122.D.NC.20</b>   | 11 mm DX CORTA - Right SHORT | 100 |



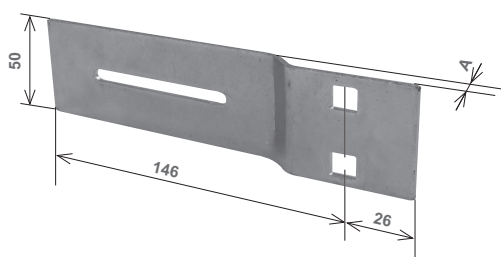
| <b>Mensole per supporti Mantova SIN</b><br><b>Bracket for Mantova supports, left</b> |        |                      |                              |     |
|--------------------------------------------------------------------------------------|--------|----------------------|------------------------------|-----|
| A (mm)                                                                               | B (mm) | Zincato - Galvanized | Piega (mm) - Overhang (mm)   |     |
| 146                                                                                  | 25     | <b>122.S.07.20</b>   | 7 mm SIN - Left              | 100 |
| 125                                                                                  | 4      | <b>122.S.A7.20</b>   | 7 mm SIN CORTA - Left SHORT  | 100 |
| 146                                                                                  | 25     | <b>122.S.11.20</b>   | 11 mm SIN - Left             | 100 |
| 125                                                                                  | 4      | <b>122.S.NC.20</b>   | 11 mm SIN CORTA - Left SHORT | 100 |



| <b>Mensole per supporti Mantova DX</b><br><b>Bracket for Mantova supports, right</b> |                                                                                                                                        |    |
|--------------------------------------------------------------------------------------|----------------------------------------------------------------------------------------------------------------------------------------|----|
| Zincato - Galvanized                                                                 | Destra - Right                                                                                                                         |    |
| • <b>122.D.AP.20</b>                                                                 | Per argani SYDNEY / ERGON<br>(con fori filettati e perno Ø 12 mm)<br>for gears SYDNEY / ERGON<br>(with threaded holes + pivot Ø 12 mm) | 50 |



| <b>Mensole per supporti Mantova SIN</b><br><b>Bracket for Mantova supports, left</b> |                                                                                                                                        |    |
|--------------------------------------------------------------------------------------|----------------------------------------------------------------------------------------------------------------------------------------|----|
| Zincato - Galvanized                                                                 | Sinistra - Left                                                                                                                        |    |
| • <b>122.S.AP.20</b>                                                                 | Per argani SYDNEY / ERGON<br>(con fori filettati e perno Ø 12 mm)<br>for gears SYDNEY / ERGON<br>(with threaded holes + pivot Ø 12 mm) | 50 |



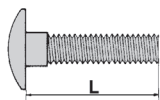
| <b>Mensola per supporti Mantova con fori   Ø 10 mm</b><br><b>Bracket for Mantova support with hole   Ø 10 mm</b> |        |                      |     |
|------------------------------------------------------------------------------------------------------------------|--------|----------------------|-----|
| Articolo - Item                                                                                                  | A (mm) | Finiture - Finishes  |     |
| <b>122.A.SA.20</b>                                                                                               | 11     | zincato - galvanized | 100 |
| <b>122.A.SD.20</b>                                                                                               | 0      | zincato - galvanized | 100 |

• Disponibile fino ad esaurimento scorte - Available while stocks last



## SUPPORTI E CUSCINETTI SUPPORTS, BEARINGS AND BUSHINGS

Vite fissaggio  
mensola Ø M6  
zincate  
Screw



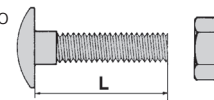
| Articolo - Item    | L (mm) |
|--------------------|--------|
| <b>123.V.15.20</b> | 15     |
| <b>123.V.20.20</b> | 20     |
| <b>123.V.25.20</b> | 25     |
| <b>123.V.30.20</b> | 30     |
| <b>123.V.35.20</b> | 35     |
| <b>123.V.40.20</b> | 40     |
| <b>123.V.45.20</b> | 45     |
| <b>123.V.50.20</b> | 50     |

Dado fissaggio  
mensola Ø 6M  
Nut

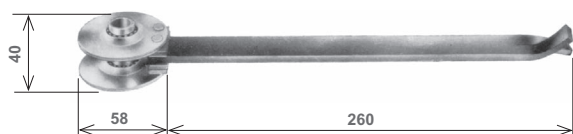


| Articolo - Item    | Finiture - Finishes   |
|--------------------|-----------------------|
| <b>123.D.6M.20</b> | zincato<br>galvanized |

Vite e dado di fissaggio  
Supporto mensola  
zincati Ø M6  
Screw + Nut

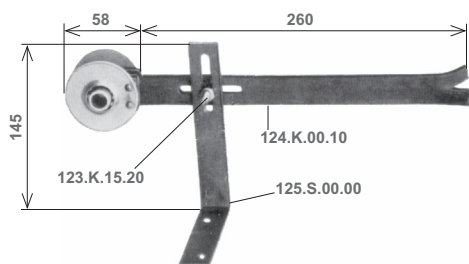


| Articolo - Item    | L (mm) |
|--------------------|--------|
| <b>123.K.15.20</b> | 15     |
| <b>123.K.20.20</b> | 20     |
| <b>123.K.25.20</b> | 25     |
| <b>123.K.30.20</b> | 30     |
| <b>123.K.35.20</b> | 35     |
| <b>123.K.40.20</b> | 40     |
| <b>123.K.45.20</b> | 45     |
| <b>123.K.50.20</b> | 50     |



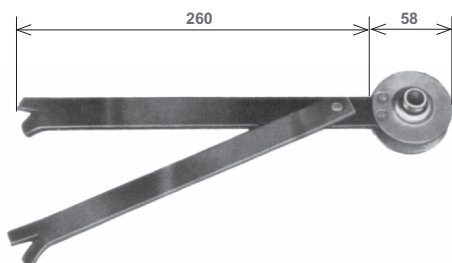
### Supporto per bifore con cuscinetti a sfere Support and ball bearings for double lancet windows

| Articolo - Item    | Finiture - Finishes                                    |    |
|--------------------|--------------------------------------------------------|----|
| <b>124.K.00.10</b> | lucido (cuscinetto zinc.)<br>mill fin. (galv. bearing) | 25 |



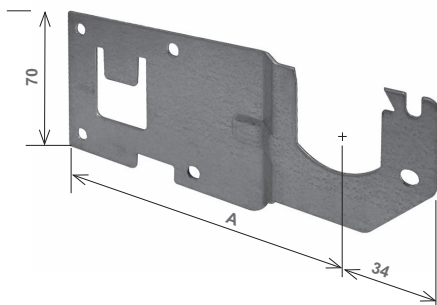
### Supporto registrabile con cuscinetti per bifore Adjustable support with ball bearings for double lancet windows

| Articolo - Item    | Finiture - Finishes                                    |    |
|--------------------|--------------------------------------------------------|----|
| <b>125.K.00.10</b> | lucido (cuscinetto zinc.)<br>mill fin. (galv. bearing) | 10 |



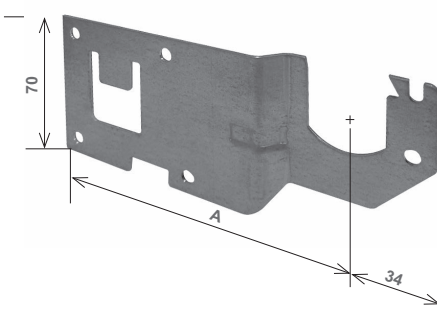
### Supporto a mensola fissa per bifore Wall fixing support for double lancet windows

| Articolo - Item    | Finiture - Finishes                                    |    |
|--------------------|--------------------------------------------------------|----|
| <b>128.K.00.10</b> | lucido (cuscinetto zinc.)<br>mill fin. (galv. bearing) | 25 |



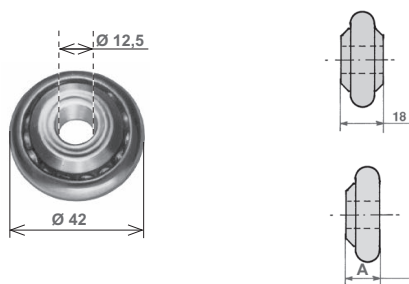
### Mensole per controtelai "M.U." - Destra "M.U." bracket for frames, right

| Articolo - Item    | A (mm) | Piega (mm)<br>Overhang (mm) | Finiture - Finishes |     |
|--------------------|--------|-----------------------------|---------------------|-----|
| <b>130.D.M1.20</b> | 115    | 9                           | zincata - galv.     | 100 |
| <b>130.D.M3.20</b> | 135    | 9                           | zincata - galv.     | 100 |



### Mensole per controtelai "M.U." - Sinistra "M.U." bracket for frames, left

| Articolo - Item    | A (mm) | Piega (mm)<br>Overhang (mm) | Finiture - Finishes |     |
|--------------------|--------|-----------------------------|---------------------|-----|
| <b>130.S.M1.20</b> | 115    | 9                           | zincata - galv.     | 100 |
| <b>130.S.M3.20</b> | 135    | 9                           | zincata - galv.     | 100 |

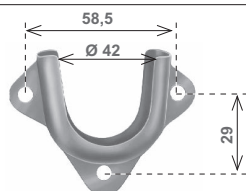


**Cuscinetto - Ball bearing**

| Articolo - Item    | Nota - Remark              | Finiture - Finishes |     |
|--------------------|----------------------------|---------------------|-----|
| <b>145.F.00.20</b> | boccola ferro - steel bush | zincato - galv.     | 200 |

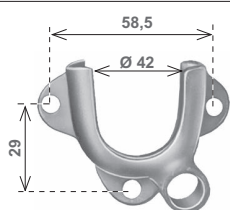
**Cuscinetto - Ball bearing**

| A (mm) | Articolo - Item    | Boccola in - Bush | Finiture - Finishes |     |
|--------|--------------------|-------------------|---------------------|-----|
| 15     | <b>145.F.BF.20</b> | ferro - steel     | zincato - galv.     | 200 |
| 15     | <b>145.N.BF.20</b> | nylon             | zincato - galv.     | 200 |



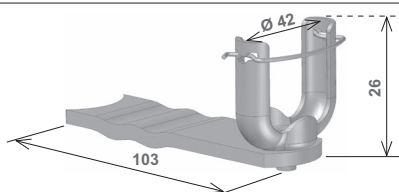
**Supporto a legno**  
**Screw type support**

| Articolo - Item    | Finiture - Finishes  |     |
|--------------------|----------------------|-----|
| <b>150.S.00.20</b> | zincato - galvanized | 200 |



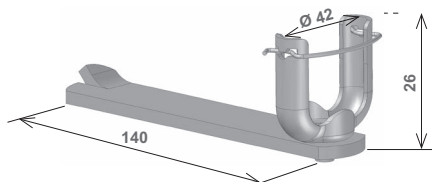
**Supporto a legno per riduttori**  
**Screw type support for strap reduction gears**

| Articolo - Item    | Finiture - Finishes  |     |
|--------------------|----------------------|-----|
| <b>150.R.00.20</b> | zincato - galvanized | 200 |



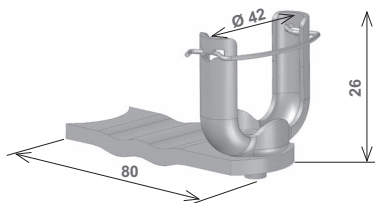
**Supporto a murare**  
**Wall fixing support**

| Articolo - Item    | Finiture - Finishes  |
|--------------------|----------------------|
| <b>151.S.00.20</b> | zincato - galvanized |



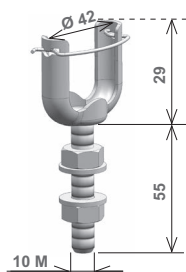
**Supporto a murare**  
**Wall fixing support**

| Articolo - Item      | Finiture - Finishes  |
|----------------------|----------------------|
| • <b>151.S.MS.20</b> | zincato - galvanized |



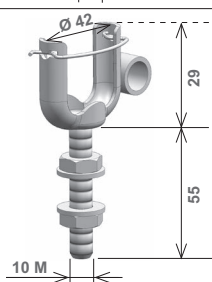
**Supporto a murare**  
**Wall fixing support**

| Articolo - Item    | Finiture - Finishes  |
|--------------------|----------------------|
| <b>152.S.00.20</b> | zincato - galvanized |



**Portacuscinetto registrabile con vite**  
**Adjustable bearing holder**

| Articolo - Item    | Finiture - Finishes  |    |
|--------------------|----------------------|----|
| <b>155.P.RE.20</b> | zincato - galvanized | 50 |

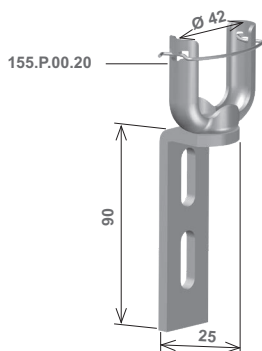


**Portacuscinetto registrabile con vite per riduttore**  
**Adjustable bearing holder for strap reduction gears**

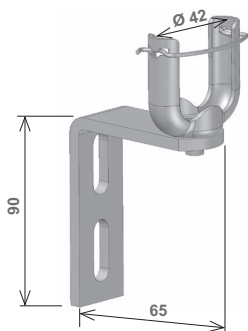
| Articolo - Item    | Finiture - Finishes  |    |
|--------------------|----------------------|----|
| <b>155.P.RR.20</b> | zincato - galvanized | 50 |

Per istruzioni di montaggio vedi cap.12 - For installation instructions see chapter 12

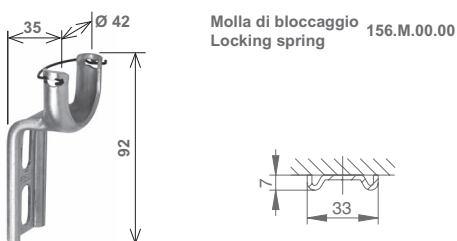
• Disponibile fino ad esaurimento scorte - Available while stocks last



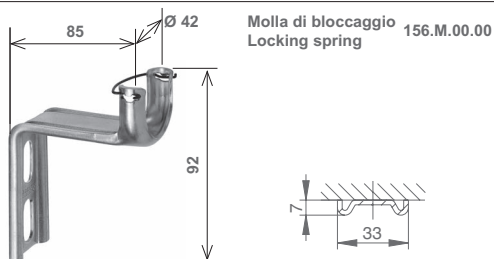
| Supporto a legno a mensola<br>Screw type support |                      |
|--------------------------------------------------|----------------------|
| Articolo - Item                                  | Finiture - Finishes  |
| * <b>155.S.25.20</b>                             | zincato - galvanized |



| Supporto a legno a mensola<br>Screw type support |                      |
|--------------------------------------------------|----------------------|
| Articolo - Item                                  | Finiture - Finishes  |
| * <b>155.S.65.20</b>                             | zincato - galvanized |



| Supporto per cassonetti termoisolanti con sistema bloccaggio automatico del cuscinetto   Peso max telo = 180 kg<br>Support for thermo-insulated housing with automatic locking system   Max. weight of the shutter = 180 Kg |                      |     |
|-----------------------------------------------------------------------------------------------------------------------------------------------------------------------------------------------------------------------------|----------------------|-----|
| Articolo - Item                                                                                                                                                                                                             | Finiture - Finishes  |     |
| <b>156.H.35.20</b>                                                                                                                                                                                                          | zincato - galvanized | 200 |



| Supporto per cassonetti termoisolanti con sistema bloccaggio automatico del cuscinetto   Peso max telo = 60 kg<br>Support for thermo-insulated housing with automatic locking system   Max. weight of the shutter = 60 Kg |                      |     |
|---------------------------------------------------------------------------------------------------------------------------------------------------------------------------------------------------------------------------|----------------------|-----|
| Articolo - Item                                                                                                                                                                                                           | Finiture - Finishes  |     |
| <b>156.H.85.20</b>                                                                                                                                                                                                        | zincato - galvanized | 150 |



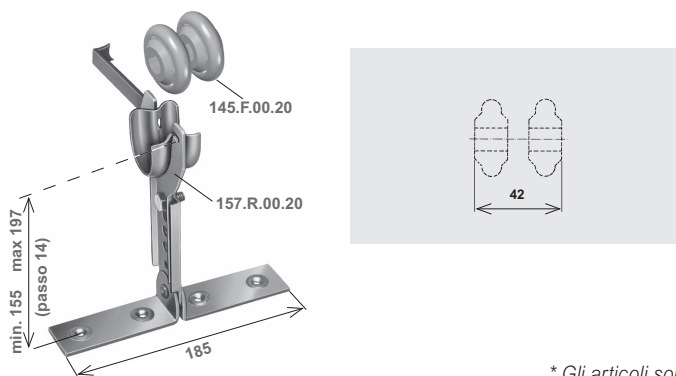
| Supporto da avvitare   Peso max telo = 60 kg<br>Screw type support   Max. weight of the shutter = 60 Kg |                      |     |
|---------------------------------------------------------------------------------------------------------|----------------------|-----|
| Articolo - Item                                                                                         | Finiture - Finishes  |     |
| <b>156.E.00.20</b>                                                                                      | zincato - galvanized | 200 |



| Supporto da avvitare - "leggero"<br>Screw type support - "light" |        |                      |     |
|------------------------------------------------------------------|--------|----------------------|-----|
| Articolo - Item                                                  | A (mm) | Finiture - Finishes  |     |
| <b>156.E.35.20</b>                                               | 35     | zincato - galvanized | 100 |
| <b>156.E.85.20</b>                                               | 85     | zincato - galvanized | 100 |

Per istruzioni di montaggio vedi cap.12 - For installation instructions see chapter 12

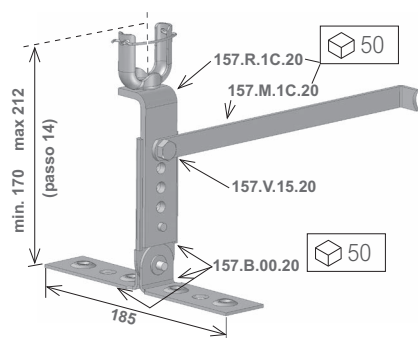
\* Disponibile solo su richiesta - Available on request, only



| <b>Supporto orientabile per bifore</b><br><b>Adjustable support for double lancet windows</b> |                      |
|-----------------------------------------------------------------------------------------------|----------------------|
| Articolo - Item                                                                               | Finiture - Finishes  |
| <b>157.K.00.20</b> *                                                                          | zincato - galvanized |

| <b>Cuscinetto - Ball bearing</b> |                            |                     |     |
|----------------------------------|----------------------------|---------------------|-----|
| Articolo - Item                  | Nota - Remark              | Finiture - Finishes |     |
| <b>145.F.00.20</b>               | boccola ferro - steel bush | zincato - galv.     | 100 |

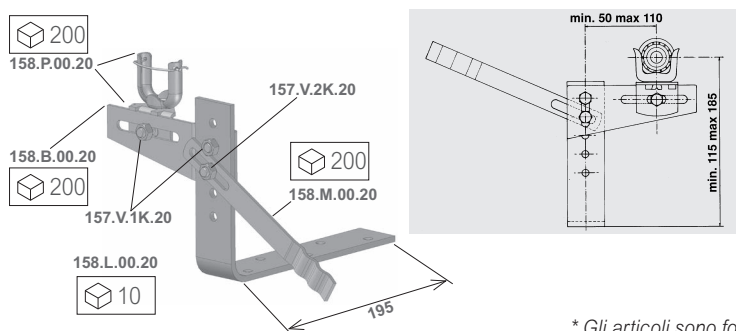
\* Gli articoli sono forniti in confezioni separate - Items are supplied in separate packages



| <b>Supporto orientabile</b><br><b>Adjustable support</b> |                      |
|----------------------------------------------------------|----------------------|
| Articolo - Item                                          | Finiture - Finishes  |
| <b>157.S.1C.20</b> *                                     | zincato - galvanized |

| <b>Cuscinetto - Ball bearing</b> |                            |                     |     |
|----------------------------------|----------------------------|---------------------|-----|
| Articolo - Item                  | Nota - Remark              | Finiture - Finishes |     |
| <b>145.F.00.20</b>               | boccola ferro - steel bush | zincato - galv.     | 100 |

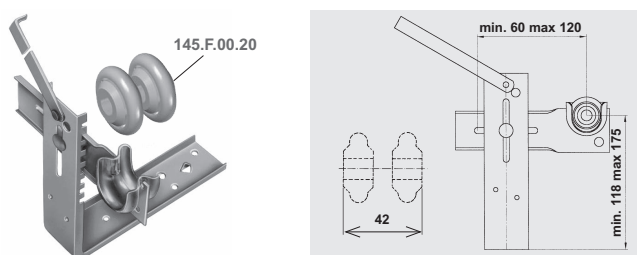
\* Gli articoli sono forniti in confezioni separate - Items are supplied in separate packages



| <b>Supporto regolabile</b><br><b>Adjustable support</b> |                      |
|---------------------------------------------------------|----------------------|
| Articolo - Item                                         | Finiture - Finishes  |
| <b>158.S.1C.20</b> *                                    | zincato - galvanized |

| <b>Cuscinetto - Ball bearing</b> |                            |                     |     |
|----------------------------------|----------------------------|---------------------|-----|
| Articolo - Item                  | Nota - Remark              | Finiture - Finishes |     |
| <b>145.F.00.20</b>               | boccola ferro - steel bush | zincato - galv.     | 100 |

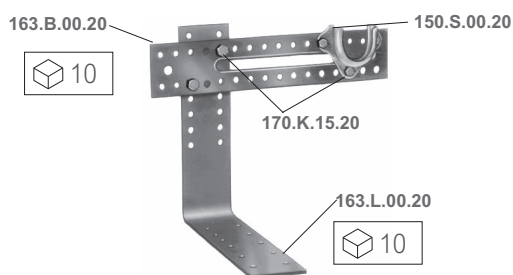
\* Gli articoli sono forniti in confezioni separate - Items are supplied in separate packages



| <b>Supporto Torino per bifore</b><br><b>Torino support for double lancet windows</b> |                      |
|--------------------------------------------------------------------------------------|----------------------|
| Articolo - Item                                                                      | Finiture - Finishes  |
| <b>161.K.00.20</b> *                                                                 | zincato - galvanized |

| <b>Cuscinetto - Ball bearing</b> |                            |                     |     |
|----------------------------------|----------------------------|---------------------|-----|
| Articolo - Item                  | Nota - Remark              | Finiture - Finishes |     |
| <b>145.F.00.20</b>               | boccola ferro - steel bush | zincato - galv.     | 100 |

\* Gli articoli sono forniti in confezioni separate - Items are supplied in separate packages



| <b>Squadra fissaggio (senza cuscinetto)</b><br><b>Fixing angle bracket (without ball bearing)</b> |                      |
|---------------------------------------------------------------------------------------------------|----------------------|
| Articolo - Item                                                                                   | Finiture - Finishes  |
| <b>163.S.00.20</b> *                                                                              | zincato - galvanized |

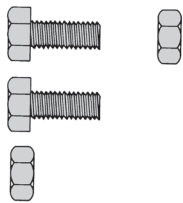
| <b>Cuscinetto - Ball bearing</b> |                            |                     |     |
|----------------------------------|----------------------------|---------------------|-----|
| Articolo - Item                  | Nota - Remark              | Finiture - Finishes |     |
| <b>145.F.BF.20</b>               | boccola ferro - steel bush | zincato - galv.     | 100 |

\* Gli articoli sono forniti in confezioni separate - Items are supplied in separate packages

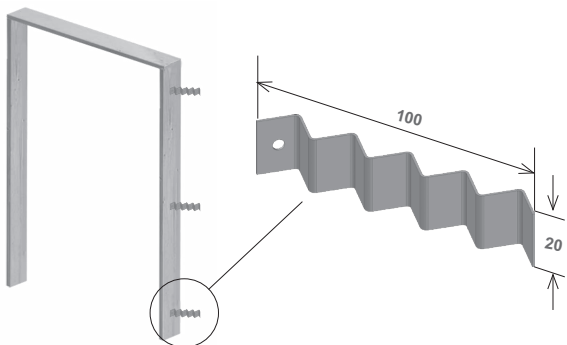




| Braccio di forza per Art. 163.S - 161.S - 158.S<br>Strut for part nos. 163.S - 161.S - 158.S |                      |     |
|----------------------------------------------------------------------------------------------|----------------------|-----|
| Articolo - Item                                                                              | Finiture - Finishes  |     |
| <b>164.G.00.20</b>                                                                           | zincato - galvanized | 100 |



| Articolo - Item    | Descrizione - Description                                              | Finiture - Finishes  |
|--------------------|------------------------------------------------------------------------|----------------------|
| <b>170.K.15.20</b> | Vite testa esagonale M6 x 15 mm con dado<br>Hexagonal head screw + Nut | zincata - galvanized |
| <b>170.V.15.20</b> | Solo vite testa esagonale M6 x 15 mm - Screw                           | zincata - galvanized |
| <b>123.D.6M.20</b> | Solo dado M6 - M6 + Nut                                                | zincato - galvanized |



| Staffa per fissaggio controtelaio<br>Bracket for fixing the subframe |                      |     |
|----------------------------------------------------------------------|----------------------|-----|
| Articolo - Item                                                      | Finiture - Finishes  |     |
| <b>118.S.TC.20</b>                                                   | zincato - galvanized | 100 |

